



## Professional Cucinotta Range 36" 5 burners

Ranges

Code: 7269 900

AISI 304 Stainless steel  
Satin finish  
Enamelled cast iron grid  
Solid metal knobs



### DETAILS

**Series** Foster Milano

---

**Finish** Foster brushed

---

**Material** AISI 304 stainless steel

---

**Texture** Satin

---

### OVEN SPECIFICATIONS

**Oven type** Multifunction Pyrolytic Oven

---

**Cooking Functions** 7

---

**Control type** Electronic

---

Temperature control      Electronic

---

Commands      2 knobs

---

Language      English

---

## **Cavity**

---

Usable capacity      3.75CuFt

---

Cavity finish      Dark gray pyrolitic enamel

---

Rack positions      6

---

Lighting      Triple asymmetrical halogen (20W) lighting

---

Broil upper heating element      3,500 W (240 V)

---

Upper aux element      1,032 W (240 V)

---

Concealed bake lower heating element      3,000 W (240 V)

---

Convection element      2 x 1,300 W (240 V)

---

## **Door**

---

Door Glasses      4 heat resistant glasses

---

Inner side Full glass

---

Hinges Heavy duty Steady Tilt

---

Handle Satin finish Stainless steel handle

---

## Special features

---

Cleaning function Pyrolytic self clean

---

Probe T control No

---

Preset/last used temperature memory No

---

Automatic fast preheat No

---

Sabbath mode No

---

Safety Door Lock

---

Temperature unit °C/°F

---

Clock format 12/24 Hours

---

## Delivered accessories

---

Chromed racks 1

---

Telescopic chromed rack 1

---

Enamelled grill set 1

---

Meat Probe 1

---

## Technical Specifications

---

Electric supply 120/240VAC – 60Hz // 120/208VAC – 60Hz

---

Max Amp usage, power rating (240V,60Hz) 16.9 A – 3.84 Kw

---

Max Amp usage, power rating (208V,60Hz) 17.5 A – 3.54 Kw

---

Cable + conduit Yes

---

Plug No

---

**Certification** US & CA (ETL)

---

Warranty 24 months

---

**Cooking Functions** Pyrolytic Sel Clean with automatic door lock, Convection Bake, Ventilated Bake, Convection broil, Bake, Broil, Defrost, Lights

---

## RANGETOP SPECIFICATIONS

---

Model Professional Rangetop 5b - 36"x 27"

---

## Dimensions

35<sup>55/64</sup>" x 27"

Finish

Satin finish

Grids

Enamelled cast iron

Cooktop controls

Knobs

Knobs

Solid Metal

Safety

Safety valves

Total power Btu

31,600 Btu/h

## Burners

5

Triple crown

11,000 Btu/h

Rapid

10,750 Btu/h

Semirapid

5,100 (2x) Btu/h

Auxiliary

2,800 Btu/h

Simmer ring

1

Simmer Rate

900

## Technical requirements

Electrical supply 120V 60Hz

---

Gas std setting Natural Gas

---

LP Gas conversion Kit for all burners included

---

**Delivered accessories** (2x) bottle holder

---

(2x) st. steel spices container

---

**Optional accessories** Cast iron wok support

---

**Notes:** For technical details of oven and gas cooktop see below in "Equipment"

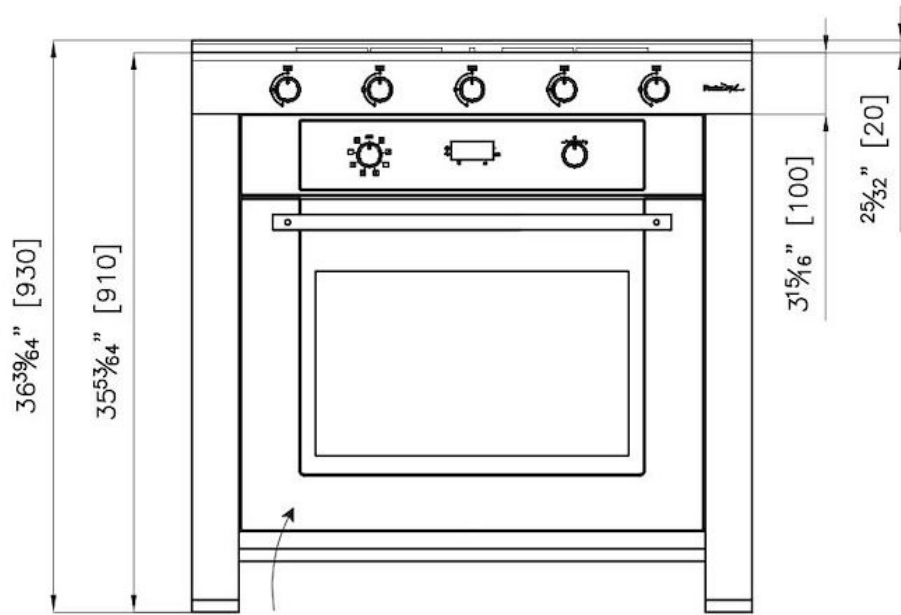
---

## EQUIPMENT

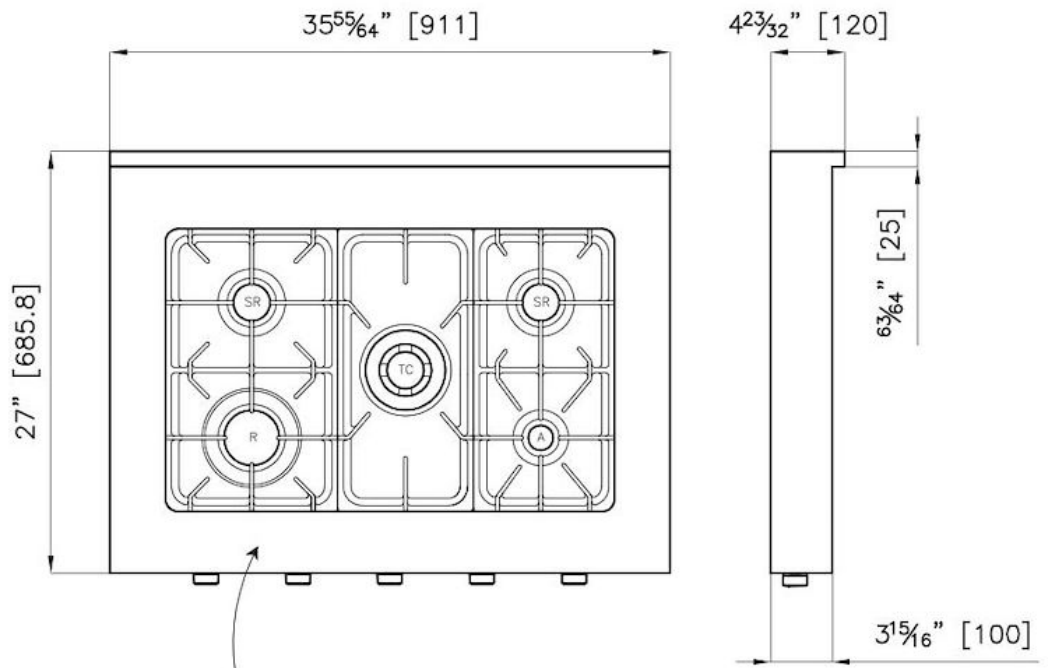
1x Oven Professional Pyrolitic –  
30x30" - 7171 900  
1x Professional Rangetop 36" 5  
burners - 3169 900

---

## TECHNICAL DATA



**Oven Professional Pyrolitic (7171 900)**



**Professional Rangetop 5 burners (3169 900)**

## EQUIPMENT



**Oven Professional Stainless Steel  
30"**  
7171 900

## OPTIONAL ACCESSORIES



**Cast Iron Wok Support**  
9601 727

## RECOMMENDED PAIRINGS



**Cucinotta Hood 48"**  
2463 900